

ENGINEERING SPECIFICATIONS

The HVAC mounted MCI™ SynAIRgPure is designed as the first fully customizable probe to provide the power you need for any environment. The probe produces aggressive ionized oxidizers (without producing ozone) and multi-cluster ions that are then distributed throughout the indoor environment cleaning both the internal HVAC equipment, ductwork and, ultimately the air and surfaces indoors.

This trademarked MCI™ Multi-Cluster Ionization technology uses an enhanced output PCO (UV photo-catalytic oxidation with enhanced quad-metallic coatings) and can be super-charged with the addition of the patented dielectric barrier ionizer to increase its cleaning power to reduce microbials, particulates and VOCs. The synergistic combination of effective components is the key to its operation.

**WARRANTY**

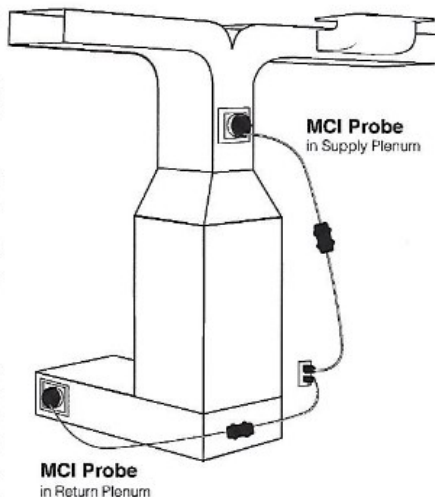
Cells are replaced annually but the quad-metallic target plate is warranted for the life of the probe against manufacturer defects. The ballast carries a 5-year limited warranty.

**OZONE Optional**

MCI™ Multi-Cluster Ionization technology is so effective that it does not require ozone to reach efficacy. Ozone producing UV lamps are an optional upgrade.



DUAL INSTALLATION

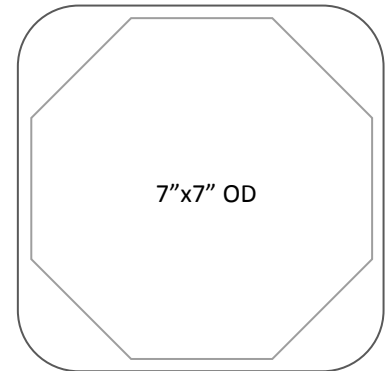
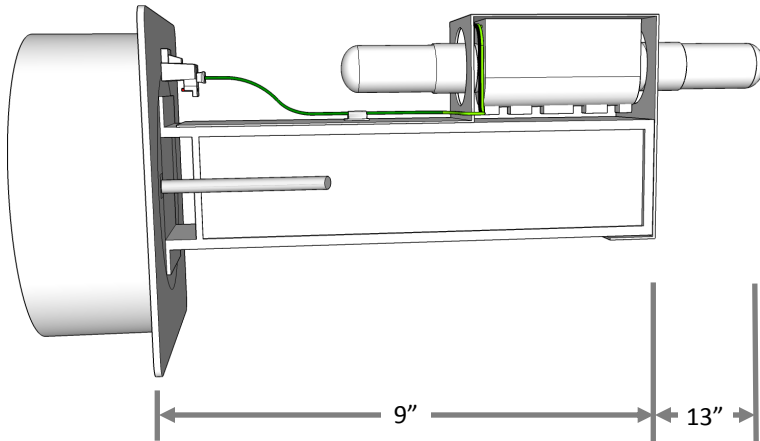


**INSTALLATION**

A single probe is installed in the return plenum and an additional probe installed in the supply plenum sized to match the HVAC equipment coverage area. This dual installation provides cleaning power to the internal equipment and the downstream duct system reducing microbials and other contaminants. The probe in the return air plenum eliminates the need for germicidal lamps shining on the evaporator coils.

<http://www.SynAIRgPure.com>

SIZING CHART	Application	Recommended	Technology	Shipping Weight	Length
	1-3 tons air handler	MCI™ SynAIRgPure16K	Enhanced PCO	2.8lbs 1.27kg	9"
	3-5 tons air handler	MCI™ SynAIRgPure24K	Enhanced PCO w/single DBI cell	3.2lbs 1.45kg	9"
	5-10 tons air handler	MCI™ SynAIRgPure40K	Enhanced PCO w/double DBI cell	3.6lbs 1.63kg	13"
	400cfm-1200cfm airflow	MCI™ SynAIRgPure16K	Enhanced PCO	2.8lbs 1.27kg	9"
	1200cfm-2000cfm airflow	MCI™ SynAIRgPure24K	Enhanced PCO w/single DBI cell	3.2lbs 1.45kg	9"
	2000cfm-4000cfm airflow	MCI™ SynAIRgPure40K	Enhanced PCO w/double DBI cell	3.6lbs 1.63kg	13"
	16,000 cubic feet living space	MCI™ SynAIRgPure16K	Enhanced PCO	2.8lbs 1.27kg	9"
	24,000 cubic feet living space	MCI™ SynAIRgPure24K	Enhanced PCO w/single DBI cell	3.2lbs 1.45kg	9"
	40,000 cubic feet living space	MCI™ SynAIRgPure40K	Enhanced PCO w/double DBI cell	3.6lbs 1.63kg	13"
Return plenum	MCI™ SynAIRgPure16K	Enhanced PCO	2.8lbs 1.27kg	9"	



REPLACEMENT PARTS	PART	REPLACEMENT CYCLE	PART NUMBER
	25,000 hour NO OZONE UV Lamp	Annually	BLS2538569
	Dielectric Barrier Ionizer	Annually	BLS255685
	Quad-Metallic Target Plate	Lifetime	BLS2569300
	12 Volt Inverter Power Cord	Lifetime	BLS85988652
	Probe Ballast	5 Year Limited	BLS544658902a